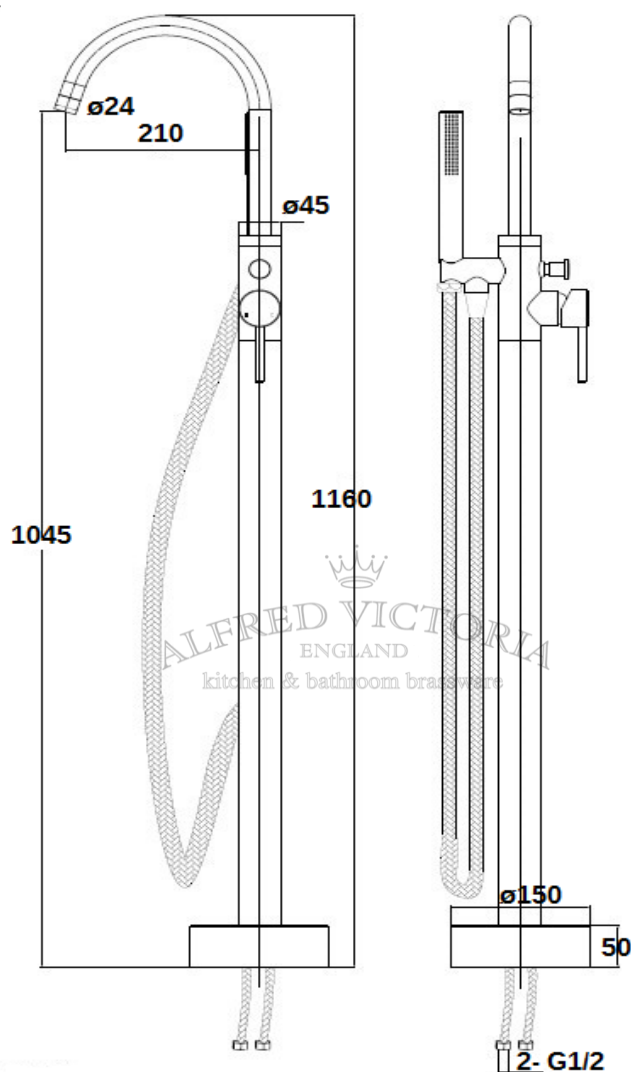


# TECHNICAL DATA SHEET

## G88 Freestanding Bath Shower Mixer (Inc. Shower Kit)

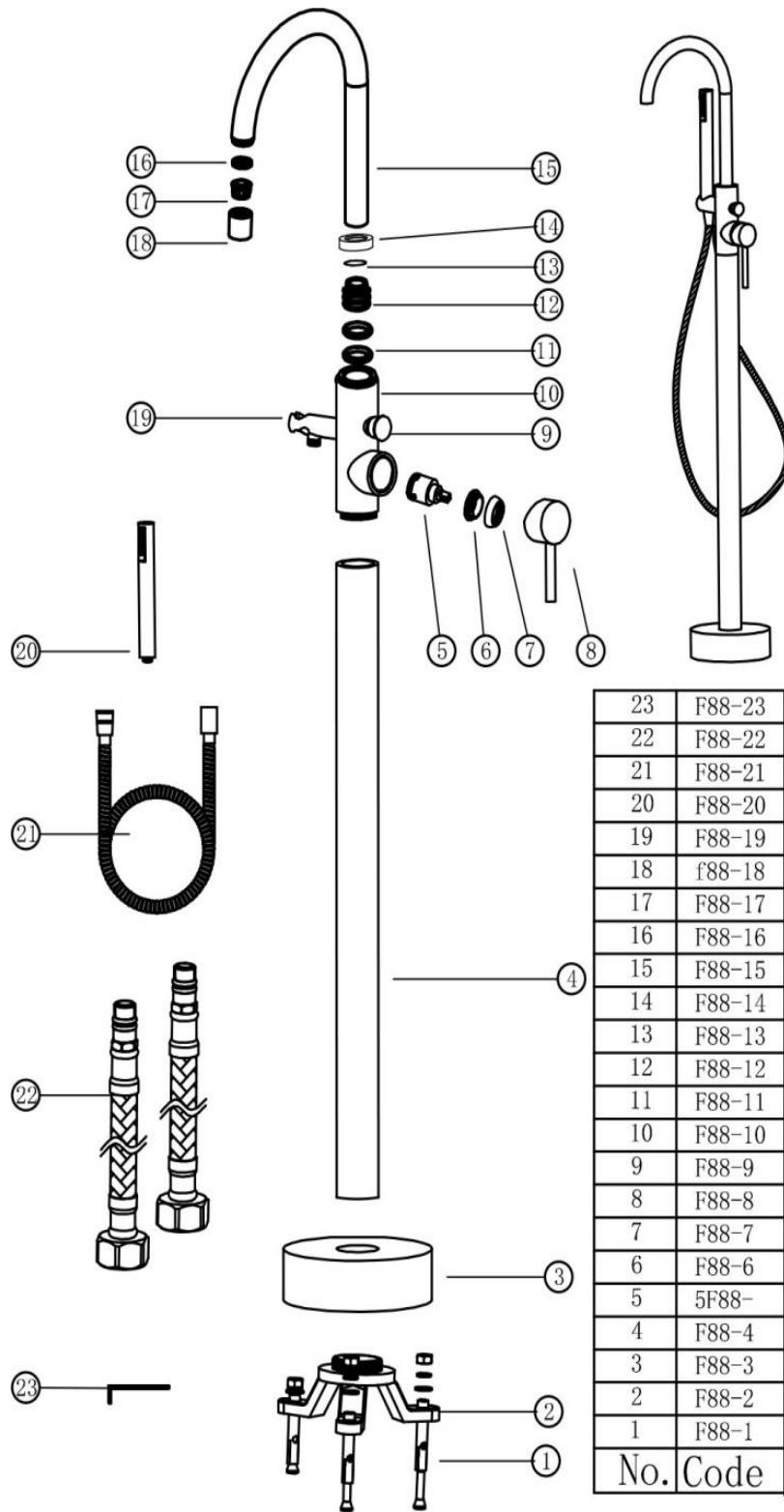
<b>Barcode</b>	5300614873874
<b>Product Code</b>	G88
<b>Construction</b>	Brass Body CuZn40Pb2, EN CW617N (equivalent to BS CZ122)
<b>Finishes</b>	Chrome plated to BS EN 248
<b>Product Type</b>	Contemporary
<b>Water Pressure</b>	Min. 1.0 bar, Max. 6.0 bar
<b>Plumbing Systems</b>	Suitable for all plumbing systems
<b>Standards</b>	Complies with BS5412, BS EN200
<b>Certification</b>	Manufactured to comply with WRAS
<b>Cartridge</b>	40mm Ceramic disc cartridge
<b>Fitting</b>	M10 x 3/4" BSP Female Flexi Tails
<b>Aerator</b>	Laminar
<b>Packaging</b>	94.5x35x43cm/carton(4pcs), Box size: 94x34x10.5cm, Weight:4.75kg
<b>Guarantee</b>	10 years against manufacturing faults (excluding serviceable parts).
<b>Additional Information</b>	Supplied with 1.5m PVC shower hose and single mode brass handset



### Flow Rates (Litres per minute)

System Pressure	0.1 Bar	0.2 Bar	0.3 Bar	0.5 Bar	1.0 Bar	1.5 Bar	2.0 Bar	3.0 Bar	4.0 Bar	5.0 Bar
<b>G88</b>	-	3.0	-	4.8	8.0	-	9.5	15.0	-	-

The information contained on this page was correct at date of issue. Fitting dimensions are provided as a guide only. Some variation may occur due to manufacturing tolerances. We pursue a policy of continuing improvement in design and performance of our products and so reserve the right to change specifications without prior notice.



23	F88-23	Hex key	1
22	F88-22	Flexi tails	2
21	F88-21	Hose	1
20	F88-20	Handset	1
19	F88-19	Handset bracket	1
18	f88-18	Aerator cap	1
17	F88-17	Aerator	1
16	F88-16	O ring	1
15	F88-15	Spout	1
14	F88-14	Collar	1
13	F88-13	Washer	1
12	F88-12	Brass nut	1
11	F88-11	O ring	2
10	F88-10	Body	1
9	F88-9	Diverter cap	1
8	F88-8	Handle	1
7	F88-7	Chrome collar	1
6	F88-6	Brass nut	1
5	5F88-	Cartridge	1
4	F88-4	Stand pipe	1
3	F88-3	Base plate	1
2	F88-2	Fixing anchor	1
1	F88-1	Fixing bolt	3
No.	Code	Name	Qty

Alfred Victoria Exploded Drawings			Material:	Assembly	Size:	A4
			(Date:D/M/Y)	Scale:	None	Issue No: 01
Drawn by:	Sherman	16/05/2016				
Checked by:	Lee	16/05/2016				
Approved by:	T. K.	16/05/2016				
Drawing Name:						